



Scenic W2001

200W Warm + Pure White LED PAR with 60° beam and barn-door for indoor use
PAR per uso interno a LED da 200W Bianco Caldo + Puro con alette e fascio a 60°

User Manual

Manuale Utente

Carefully read this manual and properly take care of it
Leggete questo manuale e conservatelo per future consultazioni



Dear customer,

First of all thanks for purchasing a CENTOLIGHT® product. Our mission is to satisfy all possible needs of light designers and professionals of entertainment lighting, by offering a wide range of products based on the latest technologies.

We hope you will be satisfied with this fixture and, if you want to collaborate, we are looking for a feedback from you about product operation and possible improvements to be introduced in the next future. Go to our website www.centolight.com and send an e-mail with your opinion; this will help us to build equipment ever closer to professional's real requirements.

The CENTOLIGHT Team

Gentile Cliente,

Grazie per aver scelto un prodotto CENTOLIGHT®. La nostra missione è quella di soddisfare ogni possibile richiesta da parte di light designers e professionisti dell'illuminotecnica per l'intrattenimento, offrendo una vasta gamma di apparecchiature basate su tecnologie di ultima generazione.

Speriamo di aver soddisfatto le vostre aspettative e, se voleste collaborare, saremmo lieti di ricevere un vostro feedback sulla qualità del prodotto al fine di migliorare costantemente la nostra produzione. Visitate il nostro sito www.centolight.com ed inviateci una mail con la vostra opinione; questo ci aiuterà a sviluppare nuovi prodotti quanto più vicini alle vostre esigenze.

Il Team CENTOLIGHT

TABLE OF CONTENTS

1 - Before you Begin	4
1.1. What is included- - - - -	4
1.2. Unpacking Instructions - - - - -	4
1.3. Accessories - - - - -	4
1.4. Disclaimer - - - - -	4
2 - Safety Instructions	5
2.1. Symbols Meaning - - - - -	5
3 - Mounting and Rigging	5
3.1. Rigging - - - - -	6
3.2. Water / Moisture - - - - -	6
3.3. Heat - - - - -	6
3.4. Servicing - - - - -	7
4 - Introduction	7
4.1. Features - - - - -	7
4.2. Product Dimensions and Overview - - - - -	8
5 - Product Setup	9
5.1. Rear Panel Description- - - - -	9
5.2. About Power Connection - - - - -	10
5.3. About Dmx Connection - - - - -	10
5.4. DMX Terminator - - - - -	11
5.5. 3-Pin vs 5-Pin DMX cables - - - - -	11
6 - Menu Operation	12
6.1. Set DMX Address - - - - -	12
6.2. DMX Channel Assignments and Values - - - - -	13
6.3. Fan Noise & LED Temperature Control - - - - -	13
6.4. Master/Slave Mode - - - - -	14
7 - Troubleshooting	14
8 - Specifications	15
9 - Warranty And Service	16
10 - Warning	16

1 – BEFORE YOU BEGIN

Thank you for purchasing SCENIC W2001. Enjoy your new equipment and make sure to read this manual carefully before operation! This user manual is made to provide both an overview of controls, as well as information on how to use them.

1.1 What is included

Package include:

- 1x CENTOLIGHT SCENIC W2001 PAR light
- 1x 1m (40in ca.) Powercon to Europlug power cable
- 1X 2m (79in ca.) DMX Cable 3-pin XLR-M to 3-pin XLR-F
- This User Manual

⚠ ATTENTION: Packaging bag is not a toy! Keep out of reach of children!!! Keep in a safe place the original packaging material for future use.

1.2 Unpacking Instructions

Carefully unpack the product immediately and check the content to make sure all the parts are in the package and are in good condition. If the box or the contents appear damaged from shipping, or show signs of mishandling, notify the carrier or dealer/seller immediately. In addition, keep the box and contents for inspection.

If the fixture must be returned to the manufacturer, it is important that it is returned in the original manufacturer box and packing. Please do not take any action without first contacting your dealer or getting in touch with our after-sales support service (visit www.centolight.com for details).

1.3 Accessories

CENTOLIGHT can supply a wide range of quality accessories that you can use with your SCENIC Series equipment, like Cables, Splitters, DMX controllers, Consumables, and a wide range of other fixtures.

All products in our catalogue has been long tested with this device, so we recommend you to use Genuine CENTOLIGHT Accessories and Parts. Ask your CENTOLIGHT dealer or check out our website www.centolight.com for any accessories you could need to ensure best performance of the product.

1.4 Disclaimer

The information and specifications contained in this User Manual are subject to change without notice. CENTOLIGHT assumes no responsibility or liability for any errors or omissions and reserves the right to revise or to create this manual at any

time.

Copyright© 2021 CENTOLIGHT. All rights reserved.

2 - SAFETY INSTRUCTIONS

- Read these instructions
- Keep these instructions
- Heed all warning
- Follow all instructions

2.1 Symbols Meaning



The symbol is used to indicate that some hazardous live terminals are involved within this apparatus, even under the normal operating conditions, which may be sufficient to constitute the risk of electric shock or death.



The symbol is used to describe important installation or configuration problems. Not following advice and information on how to avoid such problems may lead to product malfunction.



This symbol indicates a protective grounding terminal.

WARNING:

Describes precautions that should be observed to prevent the danger of injury or death to the operator.



To protect the environment, please try to recycle packing material and exhausted consumables as much as possible.



This symbol indicates that the fixture is intended to indoor use only. Keep the machine dry and do not expose to rain and moisture.



Don't throw this product away just as general trash, please deal with the product follow the abandon electronic product regulation in your country.

3 - MOUNTING AND RIGGING



Pay attention to safety! Please consider the EN 60598-2-17 and the national standard during installation. Only authorized technicians can carry out it.

3.1 Rigging

- The installation of the fixture has to be built and constructed in a way that it can hold 10 times the weight for 1 hour without any harming demolition. The installation must always be secured with a secondary safety attachment, e.g. an appropriate catch net. This secondary safety attachment must be constructed in a way that no part of the installation can fall down if the main attachment fails.
- When rigging, de-rigging or servicing the fixture staying in the area below the installation place, on bridges, under high working places and other endangered areas is forbidden. The operator has to make sure that the safety measure and the machine's technical installation is approved by an expert before taking into operation for the first time and after changes before taking into operation another time. He has also to make sure that an expert approves safety measure and the machine's technical installation once a years.

⚠ IMPORTANT: Overhead rigging requires extensive experience, including (but not limited to) calculating working load limits, installation material being used, and periodic safety inspection of all installation material and the projector. If you lack these qualifications, do not attempt the installation yourself, but instead use a professional structural rigger. Improper installation can result in bodily injury or property loss.

- If the fixture shall be lowered from the ceiling or high joists, professional trussing systems have to be used. The fixture must never be fixed swinging freely in the room.

⚠ CAUTION: Use appropriate clamps to rig the fixture on the truss. Make sure that the device is fixed properly! Ensure that the structure (truss) to which you are attaching the fixtures is secure.

3.2 Water / Moisture

- The product is for indoor use. In order to prevent risk of fire or electric shock, do not expose to rain or moisture
- The unit can not be used near water; for example near a bathtub, a kitchen sink, a swimming pool, etc.

3.3 Heat

- Do not use in a confined space. Always install in a location with adequate ventilation, at least 20in (50 cm) from adjacent surfaces. Be sure that no ventilation slots on the product's housing are blocked.

- The unit should be located away from heat sources such as radiators, stoves or other appliances that produce heat.



Don not use it when maximum ambient temperature is higher than 50°C Work temperature ranges from -20°C to 50°C (-4°F to 122°F).

3.4. Servicing

- Do not implement any servicing other than those means described in the manual. Refer all servicing to qualified service personnel only. The internal components of the equipment must be purchased from the manufacturer. Only use accessories/attachments or parts recommended by the manufacturer.

4 - INTRODUCTION

Scenic W2001 is a compact and lightweight Led Par designed for live events, club installations and all those indoor applications where white light with different color temperature and wide light beam (60°) is required. The light source is one 200W COB LED (half Warm White at 3200°K; half Pure White at 5600°K), mixable by the user.

Its main strengths are reliability and flexibility. The first is based on the quality and selection of LED chips and the use of digital processor technology for LED chip temperature and fan speed control in order to preserve LED life and light brilliance. The second point, flexibility, means that the user can turn off the fan by renouncing part of luminance and make the fixture totally silent. This could be very useful to rental companies and professionals in all those situations "on the fly", where total silence is needed (houses of worship, theaters, conference halls, etc.) and do not have silent white fixtures enough or simply because the installation requires more fixtures than those available.

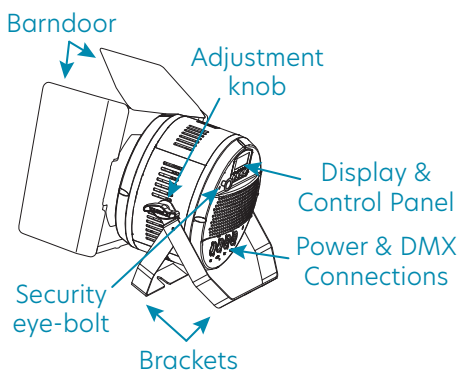
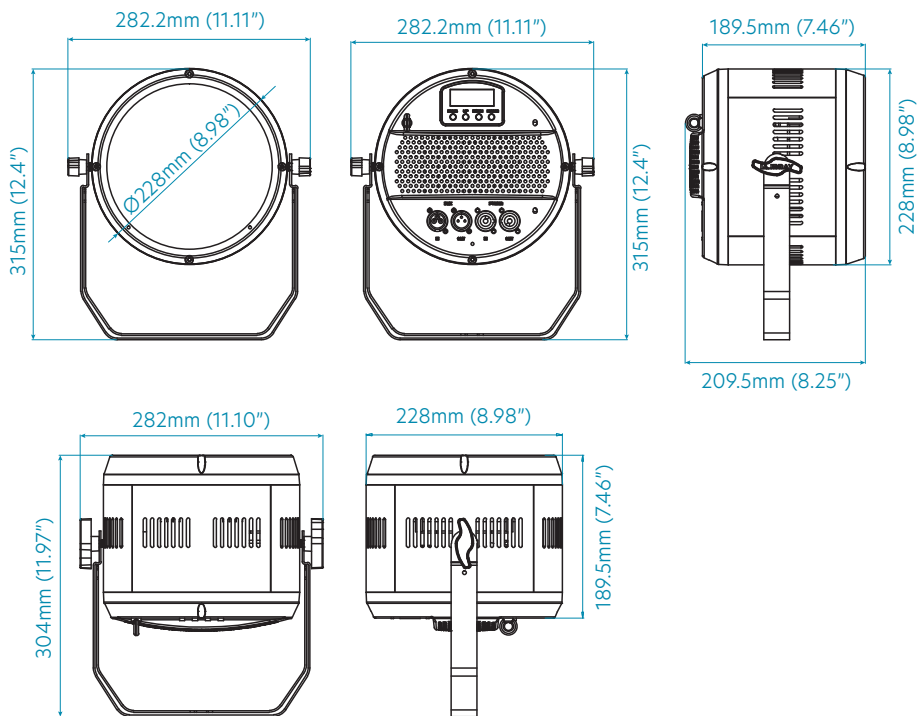
Scenic W2001 is the solution for any type of white, without problems anywhere.

4.1. Features

- High brightness / long lifespan COB LED chip
- Up to 18000 lux @ 1m
- 100W Warm White (3200°K) and 100W Pure White (5600°K) color mixing
- Flicker-free LED emission for broadcast applications
- DMX-512 control with RDM
- 60° beam angle with advanced dimmer system and strobo effects
- Adjustable barndoor
- Intelligent fan speed and control with different settings

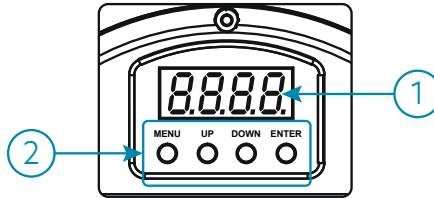
- Lightweight aluminum housing with all-directional ventilation system

4.2 Product Dimensions and Overview



5 - PRODUCT SETUP

5.1 Rear Panel Description



The operation panel includes the LED display and control button operation area.

1) 4 Digit LED Display

It shows the operating mode and other system information.

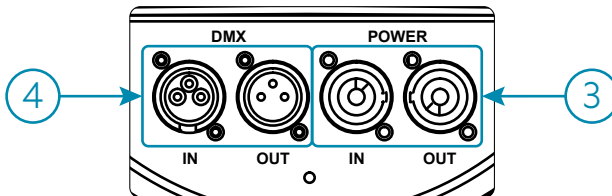
2) Control Buttons

MENU Button - Short-press it to switch the setting pages.

UP Button - It scrolls up individual items in the selection menu and sub-menus for system settings (DMX address, Operation Mode, etc.), and increases values/settings of parameters.

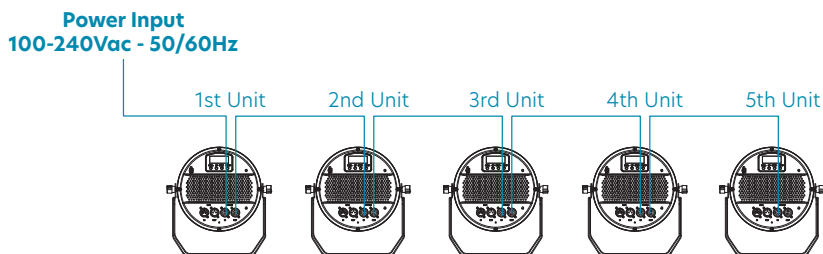
DOWN Button - It scrolls down individual items in the selection menu and sub-menus for system settings (DMX address, Operation Mode, etc.), and increases values/settings of parameters.

ENTER Button - Press ENTER to access menu levels and confirm parameter value changes.



3) Power Input/Output Sockets

Plug the power-cord included with Scenic W2001 into an AC socket properly configured for this fixture. Please read "5.2. About Power Connection" on page 10 for details. This fixture is also equipped with an output power connector to be used as power mains source in case of **cascade connection up to a maximum of 5 fixtures**.



4) DMX Input/Output Sockets

DMX Input is a 3-pin male XLR socket for connection to a DMX control device. DMX output is a 3-pin female socket for sending the DMX control signal to other units.

5.2. About Power Connection

- Always make sure that the voltage of the outlet you are connecting the product to is within the range stated in paragraph "8 - Specifications" on page 15 or rear panel of the product (AC110V-240V 50/60Hz).
- Make sure the power cord is not crimped or damaged. Never connect this product to a dimmer pack or rheostat.
- Never disconnect the product from power cord by pulling or tugging on the cord.
- To avoid electric shock, all fixtures must be connected to circuits with a suitable ground and circuit breaker.
- Wire correspondence is as follows:

Cable (EU)	Pin	International
Brown	Live	L
Blue	Neutral	N
Yellow/Green	Earth	⊕

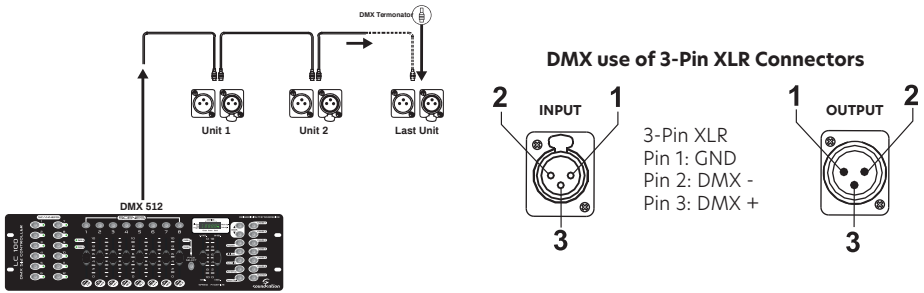
⚠ Earth must be connected! Always pay attention to safety! Before taking into operation for the first time, the installation has to be approved by an expert.

5.3. About Dmx Connection

⚠ When use a DMX controller, please make sure that there is no interference sources (e.g. intercom, high frequency radio waves and radiation source).

DMX machines are designed to receive data through a serial Daisy Chain. A Daisy Chain connection is where the DATA OUT of one fixture connects to the DATA IN of the next fixture. The order in which the machines are connected is not important and has no effect on how a controller communicates to each of them. Use an order

that provides for the easiest and most direct cabling.

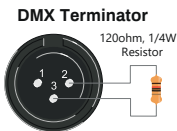


Connect machines using shielded 2-conductor twisted pair cable with 3-pin XLR male to female connectors. The shield connection is pin 1, while pin 2 is Data Negative (S-), and pin 3 is Data positive (S+).

⚠ CAUTION: Wires must not come into contact with each other, otherwise the fixtures will not work at all, or will not work properly.

5.4. DMX Terminator

DMX is a resilient communication protocol, however errors still occasionally occur. In order to prevent electrical noise from disturbing and corrupting the DMX control signals, a good habit is to connect DMX output of last fixture in the chain to a DMX terminator, especially over long signal cable runs.

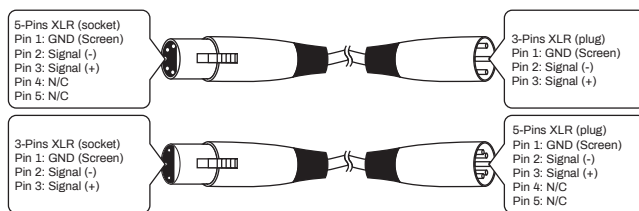


The DMX terminator is simply an XLR connector with a 120Ω (ohm), 1/4 Watt resistor connected across Signal (-) and Signal (+), respectively, pins 2 and 3, which is then plugged into the output socket on last projector in the chain. The connections are illustrated below.

⚠ Complimentary signal cable can transmits signals to 20 unit fixtures at most. Signal amplifier is a must to connect more fixtures.

5.5. 3-Pin vs 5-Pin DMX cables

DMX connection protocols used by controllers and fixtures manufacturers are not standardized around the world. However, two are the most common standards: 5-Pin XLR and 3-Pin XLR system. If you wish to connect this fixture to a 5-Pin XLR input fixture, you need to use an adapter-cable or make it by yourself. Below you can see the wiring correspondence between 3-Pin and 5-Pin plug and socket standards



6 - MENU OPERATION

By pressing MENU button, the display will cycle through 7 different menus. Press ENTER button to enter the corresponding menu, press UP or DOWN to modify current parameter value. Then, press ENTER button again to save current value.

No.	Menu	Function
1	d---	DMX512 address code setting: 001-512. When there is an incoming DMX signal, the lower right corner indicator lights up
2	n---	Pure White brightness adjustment: 0-255
3	h---	Warm White brightness adjustment: 0-255
4	F---	Stroboscopic/speed adjustment: 0 = N/C 1-84 = Standard strobo effect 85-169 = Random strobo effect 170-255 = Lightning strobo effect
5	FAN- (*)	FAN0: Fan works only when LED temperature is above 40°C FAN1: Silent mode FAN2: Fan always working
6	dp--	dp0/1: 30s instant blackout and light on
7	CH--	CH4/CH2A/CH2B Mode selection

(*) Read "6.3. Fan Noise & LED Temperature Control" on page 13 for further details.

6.1 Set DMX Address

When selecting a starting DMX address, always consider the number of DMX channels. If you choose a starting address that is too high, you could restrict the access to some of the product's channels. Scenic W2001 uses 4 DMX channels or 2 DMX channel, which defines the highest configurable address to 508 or 511 to have all channels controllable.

Set the Scenic W2001 starting address in the 001 - 508 DMX range to enable control of up to 128 products in the 4-channel control mode. Set the Scenic W2001 starting address in the 001 - 511 DMX range to enable control of up to 256 products in the 2-channel A or B control modes.

To choose between 4 or 2A/2B channel operation, press MENU till you reach "CH--" page and press ENTER; you then see current CH4, CH2-A or CH-2B current mode.

Press UP or DOWN to select desired value. Then press ENTER to confirm, and press MENU to return to menu main page.

To change DMX address, press MENU till you reach “d---” page and press ENTER; you then see current DMX channel. Press UP or DOWN to select desired value according to previous instructions. Then press ENTER to confirm, and press MENU to return to menu main page.

6.2 DMX Channel Assignments and Values

When use DMX control , the system takes 4 or 2 channels (depending on selected DMX mode. Below you can see the channel assignments for both modes.

1) 4-ch DMX512 Channel Chart

CHANNEL	FUNCTION	DESCRIPTION
Channel 1	Total Dimming	0-255: Total dimming linear dimming , from Dark to Bright
Channel 2	Pure White	0-255: Pure White linear dimming, from Dark to Bright
Channel 3	Warm White	0-255: Warm White linear dimming, from Dark to Bright
Channel 4	Strobe	0: N/C 1-84: Thunder Strobe 85-169: Random Strobe 170-255: Standard Strobe

2) 2-chA DMX512 Channel Chart

CHANNEL	FUNCTION	DESCRIPTION
Channel 1	Pure White	0-255: Pure White linear dimming, from Dark to Bright
Channel 2	Warm White	0-255: Warm White linear dimming, from Dark to Bright

3) 2-chB DMX512 Channel Chart

CHANNEL	FUNCTION	DESCRIPTION
Channel 1	Total Dimming	0-255: Total dimming linear dimming , from Dark to Bright
Channel 2	Strobe	0: N/C 1-84: Thunder Strobe 85-169: Random Strobe 170-255: Standard Strobe

6.3 Fan Noise & LED Temperature Control

SCENIC W2001 is equipped with a digital processor that controls fan speed and LED temperature. Users can choose among 3 operative modes from FAN0 to FAN2 as explained in “6 - Menu Operation” on page 12.

Users can select the desired mode by pressing MENU button until they reach the “FAN-” page. Press ENTER; you see the current value. Then press UP or DOWN to choose from FAN0 to FAN2. Press ENTER to confirm and MENU to go back to the selection of menu pages.

FAN0 keeps the fan off when LED temperature is below 40°C (104°F). It comes into operation from 41°C (105°F ca.), and the DSP increases fan speed according to LED board temperature. Heat protection limit is fixed at 90°C; in normal conditions, this limit is never exceeded, as fan would act to cool the chip. Maximum noise @ 1m (max. fan speed) is 43dBA ca.

FAN1 (Silent Mode) always switches the fan off. Internal DSP controls the LED temperature and adjusts its brightness to keep the chip always cooled. Brightness reduction starts from 41°C (0% reduction) to 87°C (50% reduction ca.). Fan noise is 0dBA.

FAN2 preset keeps the fan always working, so the LED board temperature will always be kept cooled. Fan noise @ 1m is 43dBA ca.

6.4. Master/Slave Mode

In case you need to control more SCENIC W2001 simultaneously (all fixtures operate exactly the same way) without the use of a DMX controller, you can use the Master/Slave function. There is no specific function to be activated on the display; simply the master unit must be connected first, all the others in daisy-chain through the DMX IN-OUT connections. All units (master and slaves) should be in **DMX Channel 001 only**, and have same Channel Mode (all 4CH or 2CH-A/2CH-B).

7 - TROUBLESHOOTING

Problem	Probable Cause(s)	Remedy
No response from fixture when power is applied	No power to fixture	Check power cables
		Check mains plug
Fixture does not reset correctly	Electronic failure	Contact service technician*
No light, LED cuts out intermittently, or burns out too quickly	LED missing or blown	Disconnect fixture and replace the LED
	Fixture or LED is too hot	Allow fixture to cool. If problem persists, contact service technician*
Fixture resets but does not respond correctly to controller (DMX mode operation)	Controller not connected	Connect controller
	Incorrect addressing of the fixtures	Check address setting on fixture and controller
	Bad data link connection	Inspect cables and correct poor connections and/or broken cables.
	Conflict between tracking and vector control	Eliminate scene cross-fade on controller

Fixture resets but does not respond correctly to controller (DMX mode operation)	Data link not terminated	Insert termination plug in output of last fixture**
	Defective fixture on 2 devices transmitting on link	Bypass fixtures one at a time until normal operation is regained: unplug both connectors and connect them directly together

* To contact CentoLight service, see "9 - Warranty And Service" on page 16 or visit www.centolight.com

** For instruction on how to install a DMX terminator, see "5.4. DMX Terminator" on page 11.

8 - SPECIFICATIONS

Light source	1 x 200W COB LED
Color System	100W Warm White @ 3200°K + 100W Pure White @ 5600°K
LED Control	Flicker-free
Optical System	60° lens
Luminance	18000 Lux @ 1m; 4700 @ 2m (WW+PW combined)
Light Source life-cycle	> 50.000 h
Dimmer	0-100% linear dimming with sinusoidal smooth subdivision technology
Control mode	DMX512 2CH-A/2CH-B/4CH with RDM
Operating Modes	Master/Slave, Manual
Strobe	0-20Hz
Cooling System	All-Direction Ventilating System with DSP control (fan is stopped when LED board temperature is under the 40°C; it runs when it is over)
Fan Noise	0dB (under 58°C); 44.0 dBA @ 0.5m (above 58°C); 46.1 dBA close to fixture
IP Rate	IP20
Working Temperature	-20°C to 50°C (-4°F to 122°F)
Housing	Aluminum with fine sand wear-resistant spray paint
Operating Voltage	110V-240V / 50-60Hz
Power Consumption	220W max.
Fixture Size (LxD)	Min. Ø228 x 190 mm (Ø8.98 x 7.48 in); Max. - Bracket included - Ø282 x 304 mm (Ø11.10 x 11.97 in)
Fixture Weight	4,1 kg (9.04 lbs.)
Carton Size (LxHxD)	300 x 300 x 360 mm (11.81 x 11.81 x 14.17 in)
Carton Weight	4,95 kg (10.91 lbs.)

Note: Our products are subject to a process of continual further development. Therefore modifications to the technical features remain subject to change without further notice.

9 - WARRANTY AND SERVICE

All CENTOLIGHT products feature a limited two-year warranty. This two-year warranty starts from the date of purchase, as shown on your purchase receipt. The following cases/components are not covered by this warranty:

- Any accessories supplied with the product
- Improper use
- Fault due to wear and tear
- Any modification of the product effected by the user or a third party

CENTOLIGHT shall satisfy the warranty obligations by remedying any material or manufacturing faults free of charge at CENTOLIGHT's discretion either by repairing or exchanging individual parts or the entire appliance. Any defective parts removed from a product during the course of a warranty claim shall become the property of CENTOLIGHT.

While under warranty, defective products may be returned to your local CENTOLIGHT dealer together with the original proof of purchase. To avoid any damages in transit, please use the original packaging if available. Alternatively, you can send the product to CENTOLIGHT SERVICE CENTER - Via Enzo Ferrari, 10 - 62017 Porto Recanati - Italy. In order to send a product to service center, you need an RMA number. Shipping charges have to be covered by the owner of the product.

For further information please visit www.centolight.com

10 - WARNING

PLEASE READ CAREFULLY - EU and EEA (Norway, Iceland and Liechtenstein) only



This symbol indicates that this product is not to be disposed of with your household waste, according to the WEEE Directive (2012/19/UE) and your national law.



This product should be handed over to a designated collection point, e.g., on an authorized one-for-one basis when you buy a new similar product or to an authorized collection site for recycling waste electrical and electronic equipment (WEEE).

Improper handling of this type of waste could have a possible negative impact on the environment and human health due to potentially hazardous substances that are generally associated with EEE. At the same time, your cooperation in the correct disposal of this product will contribute to the effective usage of natural resources.

For more information about where you can drop off your waste equipment for recycling, please contact your local city office, waste authority, approved WEEE scheme or your household waste disposal service.

SOMMARIO

1 -	Prima Di Iniziare	20
1.1.	Cosa è Incluso - - - - -	20
1.2.	Istruzioni per il Disimballaggio - - - - -	20
1.3.	Accessori - - - - -	20
1.4.	Limiti di Responsabilità - - - - -	21
2 -	Istruzioni di Sicurezza	21
2.1.	Significato dei simboli - - - - -	21
3 -	Montaggio e Appendimento	22
3.1.	Installazione Sospesa - - - - -	22
3.2.	Acqua / umidità - - - - -	22
3.3.	Calore - - - - -	23
3.4.	Manutenzione - - - - -	23
4 -	Introduzione	23
4.1.	Caratteristiche - - - - -	24
4.2.	Dimensioni del Prodotto - - - - -	24
4.3.	Panoramica del Prodotto - - - - -	25
5 -	Setup del prodotto	25
5.1.	Descrizione del pannello posteriore - - - - -	25
5.2.	Connessioni di Rete - - - - -	26
5.3.	Connessioni DMX - - - - -	27
5.4.	Terminatore DMX - - - - -	27
5.5.	Cavi DMX 3-Poli/5-Poli - - - - -	28
6 -	Funzionamento dei Menu	28
6.1.	Impostazione dell'indirizzo DMX - - - - -	29
6.2.	Assegnazioni e valori dei canali DMX - - - - -	29
6.3.	Controllo della ventola e della temperatura del LED - - - - -	30
6.4.	Modalità Master/Slave - - - - -	30
7 -	Risoluzione dei Problemi	30
8 -	Specifiche Tecniche	31
9 -	Garanzia e Assistenza	34
10 -	Avviso UE e SEE (Norvegia, Islanda, Liechtenstein)	34


1 - PRIMA DI INIZIARE

Grazie per aver acquistato il faro SCENIC W2001. Prima di iniziare, assicuratevi di leggere attentamente questo manuale! Esso utente è stato creato per fornire sia una panoramica dei controlli, sia informazioni su come usarli.

1.1. Cosa è Incluso

La confezione include:

- 1x faro CENTOLIGHT SCENIC W2001
- 1X Cavo di Rete da 1m (40in c.) Powercon-Europlug
- 1x Cavo da 2m (79in ca.) DMX XLR 3pin Maschio - XLR 3-pin Femmina
- Questo Manuale d'uso

 **ATTENZIONE:** La confezione non è un giocattolo! Tenere fuori dalla portata dei bambini! Conservare in un luogo sicuro il materiale di imballaggio originale.

1.2. Istruzioni per il Disimballaggio

Tirare fuori dall'imballo il prodotto con attenzione e controllare il cartone per assicurarsi che tutte le parti siano nella confezione e siano in buone condizioni. Se la confezione o il contenuto (il prodotto e gli accessori inclusi) risultano danneggiati dalla spedizione o mostrano segni di maltrattamento, avvisare immediatamente il vettore o il rivenditore. Inoltre, conservare la scatola e il contenuto per una eventuale ispezione.

Se l'apparecchiatura dovesse essere restituita al produttore, è importante che venga riportata o spedita nell'imballo originale del produttore. Si prega di non intraprendere alcuna azione senza prima contattare il proprio rivenditore o aver contattato il nostro servizio di assistenza post-vendita (visitare www.centolight.com per i dettagli).

1.3. Accessori

CENTOLIGHT fornisce un'ampia gamma di accessori di qualità che è possibile utilizzare con le apparecchiature della serie SCENIC, come cavi, splitter, controller DMX, materiali di consumo e un'ampia gamma di altri fari.

Tutti i prodotti nel nostro catalogo sono stati testati a lungo con questo dispositivo, quindi ti consigliamo di utilizzare accessori e ricambi originali CENTOLIGHT. Chiedete al vostro rivenditore CENTOLIGHT o visitate il nostro sito web www.centolight.com per eventuali accessori di cui potreste aver bisogno per garantire le migliori prestazioni al vostro prodotto.

14. Limiti di Responsabilità

Le informazioni e le specifiche contenute in questo manuale utente sono soggette a modifiche senza preavviso. CENTOLIGHT non si assume alcuna responsabilità per eventuali errori od omissioni e si riserva il diritto di rivedere o creare questo manuale in qualsiasi momento.

Copyright© 2021 CENTOLIGHT. Tutti i diritti riservati.

2 - ISTRUZIONI DI SICUREZZA

- Leggete queste istruzioni
- Conservate queste istruzioni
- Prestate attenzione a tutti gli avvertimenti
- Seguite tutte le istruzioni

21. Significato dei simboli



Questo simbolo viene utilizzato per indicare che all'interno di questo apparecchio sono presenti terminali sotto tensione, anche in condizioni operative normali, che possono essere sufficienti a costituire il rischio di scosse elettriche o morte.



Questo simbolo è usato per descrivere importanti problemi di installazione o configurazione. Il mancato rispetto dei consigli e delle informazioni su come evitare tali problemi può portare al malfunzionamento del prodotto.



Questo simbolo indica un terminale di messa a terra.

ATTENZIONE

Descrive precauzioni da osservare per prevenire lesioni o morte dell'operatore.



Per proteggere l'ambiente, cercare di riciclare il più possibile il materiale di imballaggio e i materiali di consumo esauriti



Questo simbolo indica che il dispositivo può essere usato solo all'interno. Tenere asciutto il faro e non esporre a pioggia e umidità



Non gettare questo prodotto come spazzatura generica, conferire il prodotto seguendo le normative sui rifiuti elettronici in vigore nel vostro paese.

3 - MONTAGGIO E APPENDIMENTO

⚠ Prestare attenzione alla sicurezza! Si prega di fare sempre riferimento alla direttiva EN 60598-2-17 e agli standard nazionali. Solo personale autorizzato può eseguire l'installazione.

3.1 Installazione Sospesa

- L'installazione del dispositivo deve essere progettata e costruita in un modo che possa sopportare 10 volte il peso per 1 ora, senza alcun cedimento o danneggiamento della struttura. L'installazione deve essere sempre protetta con un dispositivo di sicurezza secondario, ad esempio un cavo di sicurezza. Questo dispositivo deve essere realizzato in un modo tale che nessuna parte del prodotto possa cadere se il fissaggio principale cedesse.
- Durante le operazioni di montaggio, smontaggio o manutenzione del faro è vietato consentire lo stazionamento o anche solo il passaggio nell'area sottostante. L'operatore deve assicurarsi che l'installazione e i sistemi di sicurezza siano approvati da un esperto prima di avviare per la prima volta il funzionamento o dopo aver apportato qualsiasi modifica. Deve inoltre assicurarsi che un esperto approvi l'installazione e i dispositivi di sicurezza ogni anno.

⚠ IMPORTANTE: il montaggio su strutture sospese richiede un'esperienza specifica; tra cui (ma non soltanto) il calcolo dei limiti di carico di lavoro, la scelta del materiale di installazione e l'ispezione periodica del proiettore e dei dispositivi di sicurezza. Se non si dispone di tali qualifiche, è bene non procedere con l'installazione da soli, ma si consiglia di rivolgersi a professionisti specializzati.

- Se il faro deve essere alzato verso/o abbassato dal soffitto o da travi sospese, è consigliabile usare sistemi di tralicci professionali. L'apparecchio non deve mai essere lasciato oscillare liberamente.

⚠ ATTENZIONE: utilizzare morsetti appropriati per montare il faro sul traliccio. Assicurarsi che esso sia fissato correttamente e che il traliccio stesso sia sicuro.

3.2 Acqua / umidità

- Il prodotto è per uso interno. Al fine di prevenire il rischio di incendio o scosse elettriche, non esporre a pioggia o umidità
- L'unità non può essere utilizzata vicino all'acqua; ad esempio vicino a una vasca da bagno, un lavello da cucina, una piscina, ecc.

3.3. Calore

- Non usare in uno spazio ristretto. Installare sempre il prodotto in una posizione con un'adeguata ventilazione, almeno 20 pollici (50 cm) da superfici adiacenti. Assicurarsi che nessuna fessura di ventilazione del prodotto sia bloccato.
- L'apparecchio deve essere situato lontano da fonti di calore, come radiatori, stufe o altri apparecchi che producono calore.

 **Non usare quando la temperatura ambiente è superiore a 50°C. La temperatura ottimale di lavoro va da -20 °C a 50 °C (da -4 °F a 122 °F).**

3.4. Manutenzione

- Non effettuare alcuna manutenzione diversa da quelle descritte nel presente manuale. In caso di ulteriori manutenzioni, rivolgersi a personale specializzato. Eventuali componenti interni devono essere acquistati da rivenditori specializzati. Utilizzare solo accessori o parti raccomandate dal produttore.

4 - INTRODUZIONE

Scenic W2001 è un PAR a LED compatto e leggero pensato per eventi live, installazioni in club e discoteche e tutte quelle applicazioni indoor dove è richiesta luce bianca con differenti temperature colore e fascio luminoso aperto (60°). La sorgente luminosa è composta da 1 LED da 200W COB (100W con bianco caldo a 3200°K; 100W con bianco puro a 5600°K), miscelabili a seconda delle necessità.

I suoi principali punti di forza sono l'affidabilità e la flessibilità. La prima è basata sulla qualità e selezione dei chip LED e sull'uso di tecnologia digitale a microprocessore per il controllo della temperatura del LED e della velocità della ventola interna in modo da preservarne la durata dei LED e la brillantezza del fascio luminoso. La flessibilità consiste nella possibilità di spegnere la ventola rinunciando a parte della luminosità per ragioni di sicurezza in funzione della totale silenziosità del faro. Questo può essere molto utile a noleggiatori e professionisti dello spettacolo in tutte quelle situazioni "al volo" dove è necessario il totale silenzio (case di culto, teatri, conferenze) e non si dispongono di sufficienti fari bianchi con molteplice temperatura colore, fascio aperto e completamente silenziosi, magari perché non chiaramente specificato dal committente o perché le esigenze di illuminazione superano il parco luci a disposizione.

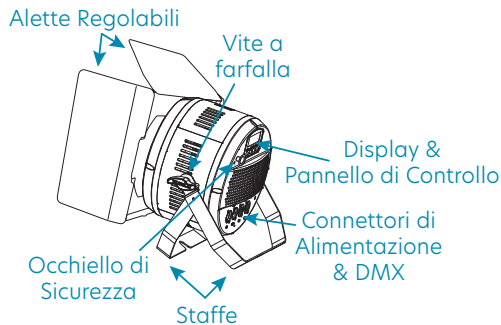
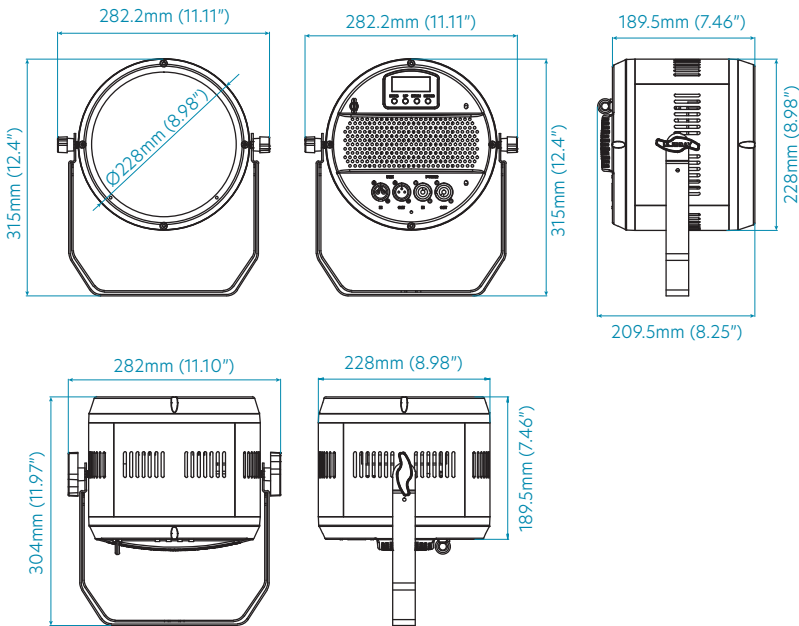
Scenic W2001 è la soluzione per qualsiasi tipo di bianco, senza problemi in nessun luogo.

4.1. Caratteristiche

- Elevata luminosità / Lunga Durata dei chip Led COB

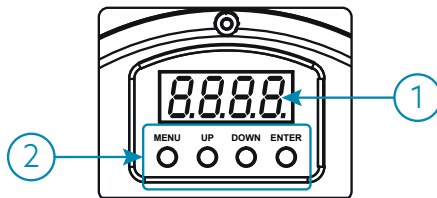
- Fino a 18000 lux @ 1m
- Miscelazione di Bianco Caldo (3200°K) e Bianco Puro (5600°K)
- Emissione LED senza sfarfallio per applicazioni broadcast
- Controllo DMX-512 con RDM
- Apertura del fascio di 60° con sistema dimmer avanzato e effetti stroboscopici
- Alette regolabili
- Sistema di raffreddamento con controllo della velocità e altre impostazioni
- Struttura in alluminio leggero con sistema avanzato di ventilazione interna

4.2. Dimensioni e Panoramica del Prodotto



5 - SETUP DEL PRODOTTO

5.1. Descrizione del pannello posteriore



Il pannello di controllo include l'area del display a LED e dei tasti di controllo.

1) Display a LED a 4 cifre

Mostra la modalità operativa e altre informazioni di sistema.

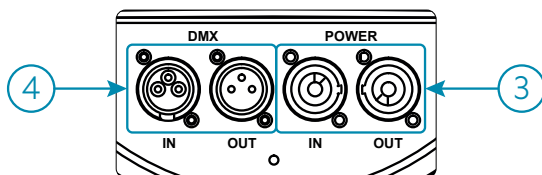
2) Tasti di controllo

Tasto MENU - Premere ripetutamente per scorrere le varie pagine di impostazione.

Tasto UP - Premere per scorrere i vari menu e i parametri dei menu (indirizzo DMX, modalità operativa, ecc.). Aumenta i valori / Impostazioni dei parametri.

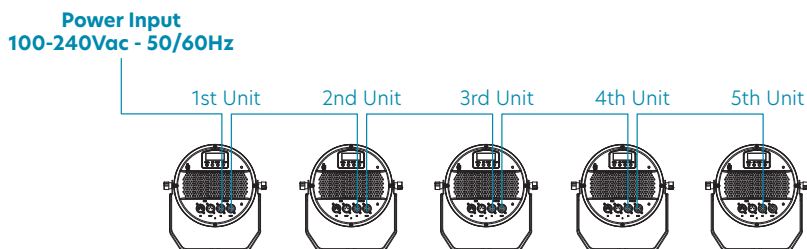
Tasto Giù - Premere per scorrere i vari menu e i parametri dei menu (indirizzo DMX, modalità operativa, ecc.). Diminuisce i valori / Impostazioni dei parametri.

Tasto ENTER - Premere per accedere ai livelli dei menu e confermare le modifiche del valore dei parametri.



3) Prese di Alimentazione in Ingresso/Uscita

Collegare il cavo di alimentazione in dotazione a una presa di corrente adatta a questa apparecchiatura. Leggere la sezione "5.2. Connessioni di Rete" a pagina 24 per dettagli. Questo dispositivo è inoltre dotato di un connettore di alimentazione di uscita da utilizzare come sorgente di rete elettrica in caso di **connessione in cascata fino a un massimo di 5 fari**.



4) Prese di ingresso / uscita DMX

L'ingresso DMX è una presa XLR maschio a 3 pin per la connessione a una centralina di controllo DMX. L'uscita DMX è presa femmina a 3-PIN per l'invio del segnale di controllo DMX ad altri fari.

5.2 Connessioni di Rete

- Assicurarsi sempre che la tensione della presa a cui si collega il prodotto sia nell'intervallo indicato nel paragrafo "8 - Specifiche Tecniche" a pagina 29 (AC110V-240V; 50/60Hz).
- Assicurarsi che il cavo di alimentazione non sia spellato o danneggiato. Non collegare mai questo prodotto a un Dimmer Pack o un Variatore di Tensione.
- Non scollegare mai il prodotto dal cavo di rete tirando o tirando il cavo.
- Per evitare scosse elettriche, tutti gli apparecchi devono essere collegati a circuiti con interruttore automatico.
- La corrispondenza dei fili interni al cavo è la seguente:

Colore Filo (EU)	Funzione	Nomenclatura Internazionale
Marrone	Fase	L
Blu	Neutro	N
Giallo/Verde	Terra	⊕

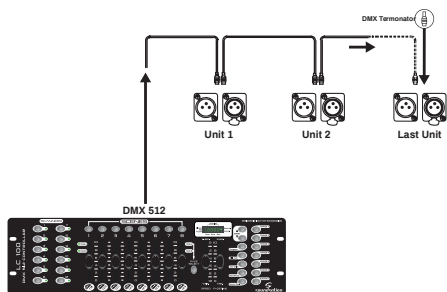
☞ La Terra deve essere collegata! Prima di mettere in funzione per la prima volta, far approvare l'installazione da un esperto.

5.3 Connessioni DMX

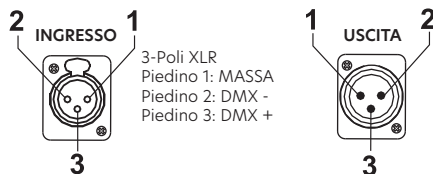
⚠ Quando si utilizza un controller DMX, assicurarsi che non vi siano fonti di interferenza (interfono, onde radio ad alta frequenza e sorgenti di radiazioni).

Gli apparecchi DMX sono progettati per ricevere dati attraverso una catena seriale a cascata. Questo tipo di connessione permette di connettere il DMX OUT di un dispositivo al DMX IN del dispositivo successivo. L'ordine in cui i dispositivi sono collegati non è importante e non ha alcun effetto su come un controllore comuni-

ca a ciascuna apparecchiatura. Utilizzare un ordine che preveda il cablaggio più semplice e diretto.



Uso dei 3-Piedini nei Connettori XLR per DMX



Collegare i dispositivi utilizzando un cavo bipolare schermato a 2 conduttori con connettori XLR maschio-femmina a 3 poli. La connessione dello schermo è il piedino 1, mentre il piedino 2 è negativo (S-) e il piedino 3 è positivo (S+).

ATTENZIONE: 1 fili non devono entrare in contatto l'uno con l'altro; altrimenti i dispositivi non funzioneranno affatto o non funzioneranno correttamente.

5.4. Terminatore DMX

Terminatore DMX



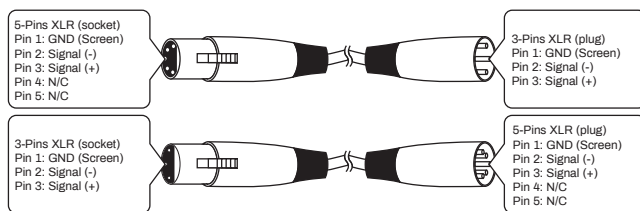
DMX è un protocollo di comunicazione resiliente, tuttavia si potrebbero verificare occasionalmente degli errori. I terminatori riducono gli errori di segnale; è quindi consigliabile usarle quando si verificano problemi con comportamenti irregolari degli apparecchi; specialmente se la lunghezza dei cavi DMX è elevata.

Il terminatore DMX è un connettore XLR con un resistore da 120Ω (ohm), 1/4 Watt collegato attraverso il segnale (-) e il segnale (+), rispettivamente, i pin 2 e 3, che viene quindi inserito nella presa di uscita sull'ultimo proiettore nella catena. Le connessioni sono illustrate di seguito.

Un cavo di segnale DMX standard può trasmettere segnali a 20 unità al massimo. E' necessario un amplificatore di segnale per collegare più apparecchi.

5.5. Cavi DMX 3-Poli/5-Poli

I protocolli di connessione DMX utilizzati dai produttori di centraline, teste mobili e fari non sono standardizzati in tutto il mondo. Tuttavia, due sono quelli più comuni: XLR a 5 poli e XLR a 3 poli. Se si desidera collegare questo fano a un dispositivo di ingresso XLR a 5 poli è necessario utilizzare un cavo adattatore o farlo da soli seguendo la corrispondenza di cablaggio tra gli standard di spina e presa a 3 e 5 poli



6 - FUNZIONAMENTO DEI MENU

Premendo il tasto MENU, il display scorrerà attraverso 7 menù diversi. Premere il tasto ENTER per accedere al menu corrispondente, premere SU o GIÙ per modificare il valore del parametro corrente. Quindi, premere nuovamente il pulsante ENTER per salvare il valore corrente.

No.	Menu	Funzione
1	d---	Selezione Indirizzo DMX512: 001-512. Quando c'è un segnale DMX in entrata, l'indicatore nell'angolo in basso a destra del display si accende
2	n---	Regolazione Dimmer Bianco Puro: 0-255
3	h---	Regolazione Dimmer Bianco Caldo: 0-255
4	F---	Regolazione Velocità Effetto Strobo: 0 = N/C 85-169 = Effetto Strobo Casuale 1-84 = Effetto Strobo Standard 170-255 = Effetto Strobo Lampo
5	FAN- (*)	FANO: La Ventola funziona quando la temperatura del LED supera 40°C FAN1: Modo Silenzioso FAN2: Ventola Sempre Accesa
6	dp--	dp0/1: Blackout di 30s, poi LED accesi
7	CH--	Selezione Modalità DMX a 4CH, 2CH-A o 2CH-B

6.1 Impostazione dell'indirizzo DMX.

Quando si seleziona l'indirizzo DMX ci si riferisce sempre a quello iniziale e occorre considerare il numero di canali DMX che occupa il faro. Se si sceglie un indirizzo iniziale troppo alto, è probabile che si limiti l'accesso ad alcune funzioni del prodotto. Scenic W2001 utilizza 4 canali DMX o 2 canali DMX che definiscono, rispettivamente, il più alto indirizzo configurabile a 508 o 511 per controllare tutti i canali possibili.

Impostare l'indirizzo DMX iniziale tra 001 - 508 per controllare fino a 128 prodotti in modalità a 4 canali. Impostare l'indirizzo DMX iniziale tra 001 - 511 per controllare fino a 256 prodotti in modalità a 2 canali A o B.

Per scegliere tra i modi a 4 o 2 canali A/B, premere MENU finché non raggiungi la pagina "Ch--" e premere ENTER; verrà visualizzata la modalità attualmente attiva. Premere UP o DOWN per selezionare il valore desiderato. Quindi premere ENTER per confermare e premere MENU per tornare alla pagina principale del menu.

Per modificare l'indirizzo DMX, premere MENU fino a raggiungere la pagina "d ---" e premere ENTER; verrà visualizzato il canale DMX corrente. Premere UP o DOWN per selezionare il valore desiderato in base alle istruzioni precedenti. Quindi premere ENTER per confermare e premere MENU per tornare alla pagina principale del menu.

6.2. Assegnazioni e valori dei canali DMX

Quando si utilizza il controllo DMX, il sistema richiede 4 o 2 canali. Di seguito è possibile visualizzare le assegnazioni del canale per entrambe le modalità.

1) Tabella DMX512 in modalità 4-canali

CANALE	FUNZIONE	DESCRIZIONE	
Canale 1	Dimmer Generale	0-255: Regolazione Dimmer Generale, da Min. a Max	
Canale 2	Bianco Puro	0-255: Regolazione Dimmer Bianco Puro, da Min. a Max	
Canale 3	Bianco Caldo	0-255: Regolazione Dimmer Bianco Caldo, da Min. a Max	
Canale 4	Strobo	0: N/C 1-84: Effetto Lampo	85-169: Strobo Casuale 170-255: Effetto Standard

2) Tabella DMX512 in modalità 2-canali A

CANALE	FUNZIONE	DESCRIZIONE
Canale 1	Bianco Puro	0-255: Regolazione Dimmer Bianco Puro, da Min. a Max
Canale 2	Bianco Caldo	0-255: Regolazione Dimmer Bianco Caldo, da Min. a Max

3) Tabella DMX512 in modalità 2-canali B

CANALE	FUNZIONE	DESCRIZIONE	
Canale 1	Dimmer Generale	0-255: Regolazione Dimmer Generale, da Min. a Max	
Canale 2	Strobo	0: N/C 1-84: Effetto Lampo	85-169: Strobo Casuale 170-255: Effetto Standard

6.3. Controllo della ventola e della temperatura del LED

Scenic W2001 è dotato di un processore digitale che controlla la velocità della ventola e la temperatura del LED. Gli utenti possono scegliere tra 3 modalità operative da FAN0 a FAN2 come spiegato in "6 - Funzionamento dei Menu" a pagina 26.

Gli utenti possono selezionare la modalità desiderata premendo il pulsante MENU fino a raggiungere la pagina "FAN-". Premere ENTER; verrà visualizzato il valore corrente. Quindi premere UP o DOWN per scegliere tra FAN0 a FAN2. Premere ENTER per confermare e MENU per tornare alla selezione delle pagine dei menu.

FAN0 mantiene la ventola spenta quando la temperatura del LED è inferiore a 40°C (104°F). Entra in funzione da 41°C (105 ° F ca.) in su e il DSP aumenta la velocità

della ventola in base alla temperatura del LED. Il limite di protezione dal calore è fissato a 90°C; in condizioni normali, questo limite non viene mai superato, poiché la ventola agisce per raffreddare il chip. Il massimo rumore @ 1m (alla massima velocità della ventola) è 43dBA circa.

FAN1 (modalità silenziosa) spegne sempre la ventola. Il DSP interno controlla la temperatura del LED e regola la sua luminosità per mantenere sempre raffreddato il chip. La riduzione della luminosità inizia da 41°C (riduzione dello 0%) a 87°C (riduzione del 50% circa). Il rumore della ventola è sempre a 0dBA.

FAN2 mantiene sempre la ventola accesa, quindi il LED continuerà ad essere sempre raffreddato. Il rumore della ventola @ 1m è sempre 43dBA circa.

6.4. Modalità Master/Slave

Nel caso in cui sia necessario controllare più SCENIC W2001 simultaneamente (tutti gli apparecchi funzionano esattamente allo stesso modo) senza l'uso di un controller DMX, è possibile utilizzare la funzione master/slave. Non esiste alcuna funzione specifica da attivare sul display, semplicemente l'unità master deve essere collegata per prima; tutte le altre vanno collegate in cascata attraverso le connessioni DMX IN-OUT. Tutte le unità (master e slave) devono essere solo sul canale 1 DMX e avere la stessa modalità DMX attiva (tutti 4CH o 2CH-A/2CH-B).

7 - RISOLUZIONE DEI PROBLEMI

Problema	Probabile Causa(e)	Rimedio
Nessuna risposta dal dispositivo quando si applica l'alimentazione.	Nessuna alimentazione al faro.	Controllare il cavo di alimentazione.
		Controllare la spina
Il faro non si accende correttamente.	Problema elettrico interno.	Contattare il Servizio di Assistenza.*
Nessuna luce o il LED si funziona a intermittenza o si brucia troppo velocemente.	LED disconnesso or bruciato.	Scollegare il faro e sostituire il LED.
	Il faro o il LED sono molto caldi.	Fate raffreddare il faro. Se il problema persiste, contattate il servizio assistenza.*
L'apparecchio si accende ma non risponde correttamente alla centralina DMX	Centralina ono collegata.	Collegare la centralina.
	Canali DMX errati	Controllare i canali DMX sul faro e sulla centralina.
	Errore di trasmissione dei dati.	Controllate che i cavi siano collegati correttamente e che siano integri.
	Conflitto fra controllo nella scena e impostazioni DMX di controllo della centralina.	Eliminare conflitti tra scene, cross-fade e altri controlli assegnati dalla centralina al canale DMX.

L'apparecchio si accende ma non risponde correttamente alla centralina DMX	Connessione DMX con terminata.	Inserire un terminatore in uscita all'ultimo faro nella catena. **
	Faro difettoso tra 2 unità impostate in modo non corretto nella catena.	Bypassate tutti i fari uno alla volta, finché il problema non scompare. Per bypassare, basta scollegare i cavi DMX in ingresso e uscita dall'unità e collegarli fra di loro.

* Per contattare il Servizio Assistenza Centolight, consultare il paragrafo "9 - Garanzia e Assistenza" a pagina 30 o visitate il sito www.centolight.com

** Per istruzione su come installare un terminatore DMX, vedere "5.4. Terminatore DMX" a pagina 25.

8 - SPECIFICHE TECNICHE

Sorgente Luminosa	1 LED da 200W COB
Sistema dei colori	100W Bianco Caldo @ 3200°K + 100W Bianco Puro @ 5600°K
Controllo Led	Flicker-Free (scansione priva di sfarfallio per applicazioni broadcast)
Sistema ottico	Lente da 60°
Luminanza	18000 lux @ 1m; 4700 @ 2m (WW + PW combinato)
Durata LED	> 50.000 h
Controllo Dimmer	0-100% lineare con Tecnologia Sinusoidal Smooth Subdivision
Modalità di controllo	DMX512 2CH-A/2CH-B/4CH con RDM
Modalità operative	Master/Slave, Manuale
Strobo	0-20Hz con vari effetti
Sistema di raffreddamento	Sistema di ventilazione con controllo DSP
Rumore Ventola	OdB (temp. inferiore a 40°C); 43.0dBA @ 0,5m (temp. superiore a 41°C); 46.1dBA Vicino al dispositivo
Grado di Protezione IP	IP20
Temperatura di lavoro	Temperatura ambiente da -20°C a 50°C (-4°F a 122°F)
Struttura Faro	Alluminio con verniciatura a polvere antigraffio
Tensione di Alimentazione	110V-240V / 50-60Hz
Consumo	220W max.
Dimensione Faro (LxP)	Min. Ø228 x 190 mm (Ø8.98 x 7.48 in); Max. - Staffa inclusa - Ø282 x 304 mm (Ø11.10 x 11.97 in)
Peso Faro	4,1 kg (9,04 lbs.)
Dimensione Imballo (LxPxA)	300 x 300 x 360 mm (11,81 x 11,81 x 14,17 in)
Peso del cartone	4,95 kg (10,91 lbs.)

Nota: i nostri prodotti sono soggetti a un processo di sviluppo continuo. Pertanto le modifiche alle caratteristiche tecniche restano soggette a modifiche senza preavviso.

9 - GARANZIA E ASSISTENZA

Tutti i prodotti CENTOLIGHT sono coperti da garanzia di due anni. Essa è valida dalla data di acquisto, come indicato dal documento di acquisto. I seguenti casi/componenti non sono coperti dalla garanzia di cui sopra:

- Tutti gli accessori forniti con il prodotto
- Uso improprio
- Guasto dovuto all'usura
- Ogni modifica del prodotto effettuata dall'utente o da terzi

CENTOLIGHT soddisfa gli obblighi di garanzia dovuti a eventuali materiali non conformi o difetti di fabbricazione, rimediando gratuitamente e a discrezione di CENTOLIGHT, sia mediante riparazione o sostituendo singole parti o l'intero apparecchio. Eventuali parti difettose rimosse da un prodotto durante il corso di una richiesta di garanzia diventano di proprietà di CENTOLIGHT.

Durante il periodo di garanzia, i prodotti difettosi possono essere restituiti al rivenditore CENTOLIGHT con prova di acquisto originale. Per evitare danni durante il trasporto, si prega di utilizzare l'imballo originale (se disponibile). In alternativa, inviare il prodotto a SERVICE CENTER CENTOLIGHT - Via Enzo Ferrari, 10 - 62017 Porto Recanati - Italia. Per inviare un prodotto al centro di assistenza è necessario un numero di RMA. Le spese di trasporto devono essere coperte dal proprietario del prodotto.

Per ulteriori informazioni visitate il sito www.centolight.com

10 - AVVISO UE E SEE (NORVEGIA, ISLANDA, LIECHTENSTEIN)



LEGGETE ATTENTAMENTE - Questo simbolo indica che il prodotto non deve essere smaltito con i rifiuti domestici, in base alla direttiva RAEE (2202/96/CE) e legislazione nazionale.

Il prodotto deve essere consegnato a un centro di raccolta differenziata o, in caso di ritiro dell'usato quando si acquista un nuovo prodotto simile, ad un rivenditore autorizzato per il riciclaggio di apparecchiature elettriche ed elettroniche (WEEE).

Un uso improprio di questo tipo di rifiuti può avere un impatto negativo sull'ambiente e sulla salute umana a causa di sostanze potenzialmente pericolose che sono generalmente associate alle apparecchiature elettriche ed elettroniche. Allo stesso tempo, la vostra collaborazione per il corretto smaltimento di questo prodotto contribuirà a un utilizzo efficace delle risorse naturali.

Per ulteriori informazioni sui punti di raccolta delle apparecchiature da rottamare, contattate il comune, l'autorità di gestione dei rifiuti, strutture coinvolte nel sistema RAEE o il servizio di smaltimento dei rifiuti domestici.



www.centolight.com



This product is imported in EU by
Questo prodotto viene importato nella UE da

FRENEXPORT SPA - Via Enzo Ferrari, 10 - 62017 Porto Recanati - Italy

Centolight® is a registered trademark of FRENEXPORT SPA - Italy
Centolight® è un marchio di fabbrica registrato di FRENEXPORT SPA - Italia



www.centolight.com