

Martin & Co.
EST. 1833

CARE &

FEEDING GUIDE

FOR YOUR MARTIN INSTRUMENT



martinguitar.com

Martin & Co.
EST. 1833

TABLE OF CONTENTS

Proper Care of Your Instrument.....	2
Humidity, Temperature and Storage	2
Cleaning the Finish	4
Tuning Machine Maintenance.....	4
Inserting Bridge Pins and Endpins.....	5
Strings.....	6
Adjusting the Action.....	7
Necks and Tops.....	7
Instrument Care While Traveling	8
Using Guitar Straps	10
How to String a Steel-String Guitar	11
Identifying the Parts of Your Guitar.....	12

PROPER CARE OF YOUR INSTRUMENT

HUMIDITY, TEMPERATURE AND STORAGE

Your instrument is made of thin wood which is easily affected by temperature and humidity. C. F. Martin recommends that you keep your instrument's humidity level between 45-55% and temperature between 72-77 degrees Fahrenheit. A rapid change in temperature or exposure to cold can cause small cracks in the finish. We recommend the use of a hygrometer/thermometer to measure the relative humidity and temperature surrounding your instrument.

As humidity increases, moisture content of wood goes up rapidly, causing it to expand and swell. A gradual increase in humidity won't generally do permanent damage to your instrument. When very high humidity is combined with high temperature, glue joints could possibly become weakened and may even open slightly. If your instrument is exposed to high temperature or humidity for any length of time, the glue under the bridge could weaken causing the bridge to pull off.

Rapid changes in humidity are what you want to guard against. If, for instance, you place your instrument near a source of dry heat, the humidity around it will drop much faster than it would naturally, although a sudden dry spell can have the same effect. If the moisture content of wood is forced down quickly, portions of it shrink faster than others, causing cracks and open joints. Don't set your instrument next to a source of heat or hang it on a wall where it will dry out.

At all costs, avoid hanging your instrument on an exterior wall during winter months. The wall will be cooler than the inside air. The result is a conflict between the temperature of the top and back, with potential damage as a result. Should the instrument be exposed to freezing temperatures, let it warm to room temperature while still in its case. This allows the instrument to acclimate to room temperature more slowly, decreasing the possibility of wood and finish cracks.

Caution should be taken if you choose to use a humidifier to combat low humidity. Moisture in direct contact with the instrument could cause damage, as can the rubber or vinyl parts of a humidifier.

We recommend storing your instrument in its case when not in use. Humidity is easier to control in a smaller space. If your instrument will not be played for an extended period of time, C. F. Martin recommends detuning your instrument for storage.

The case supports the neck and body of your instrument as evenly as possible. It's important that you don't let anything lie under the head (the tuning machine end), as this could damage the neck and body.

Any repairs to your instrument should be performed by an authorized repair person. To obtain service for instruments purchased in the United States or Canada, please see martinguitar.com for a list of Authorized Service Centers. For instruments purchased in other countries, please contact your local C. F. Martin dealer or distributor.

CLEANING THE FINISH

The best way to clean your instrument is with a warm, damp cloth. This will remove harmful chemicals. Your instrument is coated in the highest grade finish available and is sensitive. Any type of solvent, especially those found in plastic, vinyl and leather straps, will mar the finish, as will alcohol, citric acid, aftershave lotion, insect repellent and a number of related substances. Perspiration can also damage your instrument, so keep it dry. To polish full gloss instruments, use C.F. Martin polish and a clean C. F. Martin polishing cloth. Do not use polish on a satin finished instrument. It will cause the instrument to have an uneven sheen. We recommend wiping down your instrument and strings with a soft, dry cloth before storing to remove harmful skin oils. Products containing silicone should not be used.

TUNING MACHINE MAINTENANCE

Tuning machines normally need very little care other than periodic lubrication. Enclosed machines, the type with a cover over the gears, are lubricated by the manufacturer, but the open type should be lubricated once or twice a year. Just put a little household petroleum jelly on the end of a toothpick and place the jelly in the gears. Be careful not to use too much because it catches dust which can wear out the machines.

Some types of machines are adjustable for ease of tuning. The open type can be made harder to turn by tightening the screw in the middle of the gear. Check this screw every time you replace the strings because it can work loose. Most enclosed machines have a screw in the end of the tuning knob that will make the machines harder to turn when the screw is tightened. Not much tension is needed, so don't overtighten the adjusting screws.

INSERTING THE BRIDGE AND ENDPINS

The strings are held in place at the bridge by a small notch at the front of each bridge pin, with the exception of Authentic model bridge pins that will not have a notch. It is important that the bridge pin slot be facing straight forward so the string is properly aligned on the bridge saddle. Make sure that the ball end of the string is pulled up tightly against the inside of the top before inserting the bridge pin.

Too often bridge pins are hammered in so hard that they become wedged and split the bridge. After inserting the string and pin, a solid push with your thumb is all that is needed. Bridge and endpins are tapered and held into place by friction. They are not glued in and are not designed to seat up to the collar.

For proper insertion, hold endpin between thumb and forefinger, twist slightly while carefully pushing the endpin into the bottom end of the instrument. **Do not use force. Do not hammer or tap endpin with any object; doing so may cause the wood to crack.** The endpin should be checked frequently to make sure it has not worked loose.



STRINGS

Different styles of playing demand different types of strings and C. F. Martin offers a variety of styles for every player. Your instrument was shipped with the strings that we believe will give the best results for most players but we welcome you to explore our full line of strings by visiting martinstrings.com.

CAUTION: Never use steel strings on a classical instrument. A classical instrument has much lighter bracing than most steelstring acoustic instruments and using steel strings on a classical instrument can literally pull it apart.

Whatever strings you choose, keep in mind that they won't last forever. As you play your instrument, and the strings are exposed to various environmental elements, you will notice the sound will gradually lose brilliance. At this point, you may want to replace the strings. We recommend replacing the entire set, as replacing only one string causes an unbalanced sound.

C. F. Martin 6-string instruments are made for strings no heavier than medium gauge (.013-.056), and 12-string instruments should use lighter gauge sets. C. F. Martin will not accept responsibility for use of strings which are heavier than recommended.



ADJUSTING THE ACTION

An instrument's action or playability is defined from the string height between the top of the fret and bottom of the string. Your instrument's action will change over time from being under constant string tension or change in the environment and will require adjustments. The action can be adjusted by the truss-rod, saddle height, or nut. C. F. Martin recommends taking your instrument to an Authorized Service Center for action adjustments. C. F. Martin cannot accept responsibility for damage caused by unauthorized repairs.

NECKS & TOPS

Neck bow is often misunderstood. With the adjustable truss rod, the neck can be adjusted for relative straightness and proper relief. This is not considered to be a consumer adjustment and should be made by an Authorized Service Center.

Sometimes sighting down the neck gives the illusion of neck bow when it is actually within specifications. This is because the top will rise and fall with changes in temperature and humidity. This swelling raises the end of the fingerboard, which is actually attached to the top rather than the neck. If this should become too high, it might need adjustment or repair.

The bellying of the top is normal and should be expected. The top is actually made with an arch. This will increase over a period of time due to string stress and/or high humidity. Heavy-gauge strings should not be used. If the bellying becomes excessive, the saddle and bridge may need to be lowered to improve the playability.

INSTRUMENT CARE WHILE TRAVELING

Guitars and ukuleles travel more than any other musical instruments, and it will only be a matter of time before you take yours on its first trip. If you are going to be travelling with your instrument, remember, it is not just another piece of baggage. You must make an effort to protect it. You especially want to avoid extreme heat or extreme cold. C. F. Martin recommends that you keep your instrument's humidity level between 45-55% and temperature between 72-77 degrees Fahrenheit.

If you are traveling by car, don't make your instrument ride in the trunk. Most car trunks are neither heated nor ventilated, so the temperatures can fluctuate wildly.

If you are traveling by air, we recommend a number of precautions that will help keep your instrument safe. First, visit your local C. F. Martin dealer to inquire about an approved flight case. Even a hard case will not always protect an instrument from mishandling by individuals or commercial carriers. Next, check with the airline prior to your trip for any restrictions or specific recommendations on how to safely transport your instrument with that carrier. Finally, when packing your instrument, loosen the strings to reduce tension on the body and neck and use a soft cotton packing material to keep it tight in its case.

While all travel has its risks, following these guidelines will help ensure your instrument arrives at your destination safely and ready to be played.



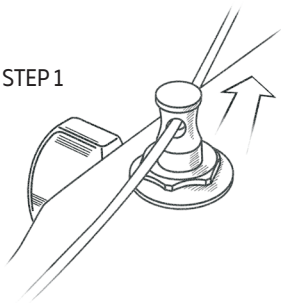
USING GUITAR STRAPS

Your C. F. Martin instrument is coated with multiple thin layers of high-grade finish. Our finish can be adversely affected by interaction with certain synthetic straps and can also be affected by leather straps. The vinyl and synthetic leathers contain solvents that keep the material soft and supple. These solvents will transfer to the instrument's finish and cause damage. Do not allow such straps to contact the finish. The best procedure is to always remove the strap from your guitar after use and store separately. Vinyl sofas, chairs, etc. should also be avoided.

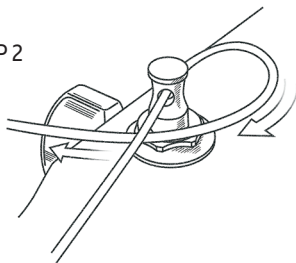


HOW TO RESTRING A STEEL-STRING GUITAR

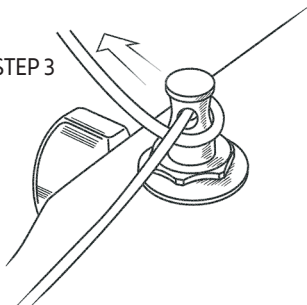
STEP 1



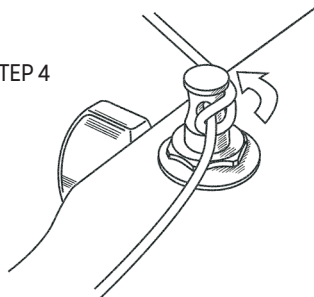
STEP 2



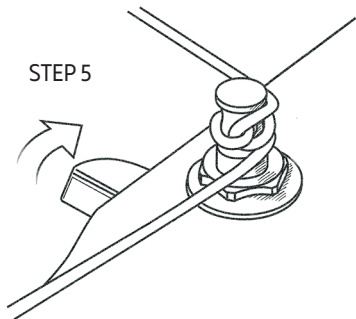
STEP 3



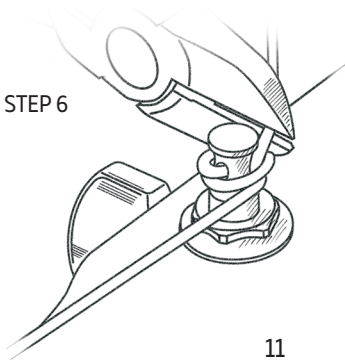
STEP 4



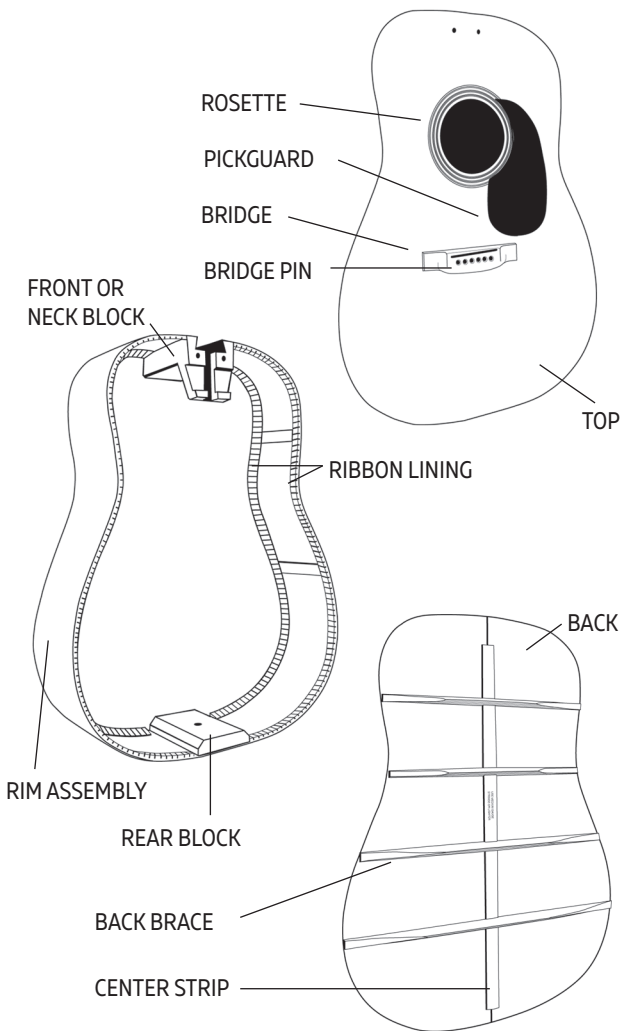
STEP 5

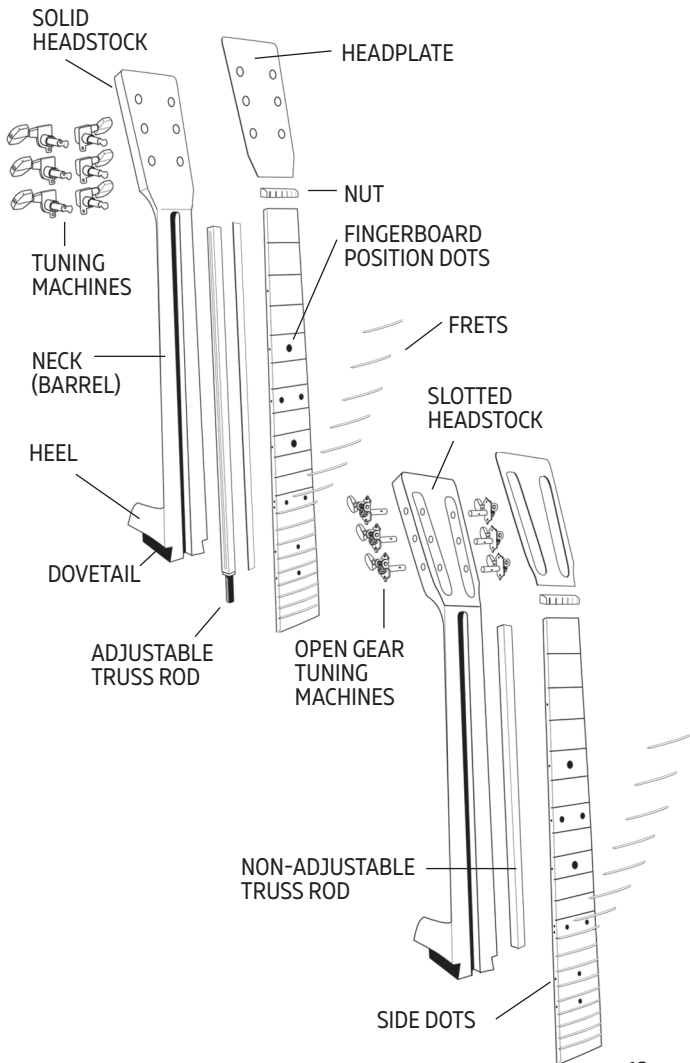


STEP 6



IDENTIFYING THE PARTS OF YOUR GUITAR







C. F. Martin & Co., Inc.
510 Sycamore Street, P.O. Box 329, Nazareth, PA 18064
(610) 759-2837 | martinguitar.com



Martin maintains an unwavering commitment to the environment and the global community by always conducting business in a socially and ethically responsible manner.

Enjoy the ultimate Martin experience.
Details at > martinownersclub.com

© 2020 C. F. Martin & Co., Inc. All rights reserved. Martin takes pride in its product innovations and protects many of them with U.S. patents. "Martin" is a trademark used by C. F. Martin & Co., Inc. Printed in the USA. 17L81